

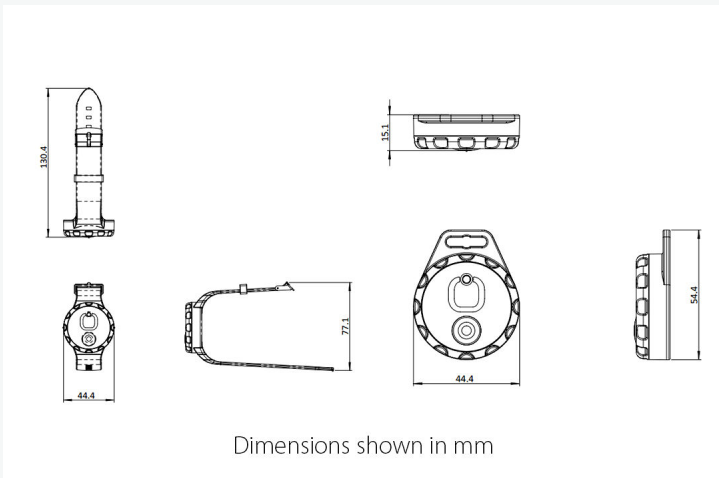
[Products] you can identify with



Physical Specifications

Material	2 Part durable plastic case
Size	Lanyard or belt clip (mm) - 50.1mm x 44.5mm x 13mm Watch strap (mm) - 44.5mm (bezel size), strap length - 115mm+75mm to buckle mm Lanyard or belt clip (inches) - 1.97" x 1.75" x 0.51" Watch strap (inches) - 1.79" (bezel size), strap length - 4.5"+2.9" to buckle in
Weight (g)	TBC
Attachment	3 versions available - lanyard, belt clip or watch strap

Dimensions



Dimensions shown in mm

Measurements shown in mm

Sense Shield

The Omni-ID Sense Shield BLE beacon with Quuppa technology can be used for contact tracing using highly accurate (sub 1 meter) personnel tracking. When a member of staff is found to be Covid-19 positive, the data provided by the device allows simple and reliable identification of personnel who have been in contact with the infected person, enabling organisations to quarantine specific individuals, thus avoiding the need to close down whole operations. Furthermore, the device can be used to implement social distancing rule enforcement and warn members of staff when they are in breach of distance regulations. The system continuously monitors the position of personnel and when two or more persons are in breach of social distancing rules an audible alert is sounded on the devices. The solution can be adapted to individual workplaces and tailored to local regulations. The wearable device comes in 3 variants - lanyard, belt clip and watch strap.

RF Specification

Radio Protocol	Bluetooth, NFC
Supported Profiles	Quuppa
Battery Type	Replaceable CR2032
Battery Capacity	225mAh
Battery Life	6 months under following conditions - (device moving 10 hours/day (3Hz beacon rate). Device stationary 14 hours/day (0.1 Hz beacon rate). TX power set to 0dBm, Enters alert mode 20 times per day with buzzer & LED activation for 20 seconds at each alert (Blink Slow).
Visual Indicator	Bi-color LED

[Products] you can identify with



- Sports stadia and indoor arenas
- Warehouse facilities
- Construction yards
- Hospitals
- Ports and mines

Configurable Parameters

- Tx power**
- Accelerometer threshold (rate & sensitivity)**
- Default beacon rate (transmit rate)**
- Rx rate**
- Buzzer volume**

Environmental Specifications

- Operating Temperature** -10°C to +60°C
- IP Rating** IP68

Certifications

CE, FCC, RoHS, NFC, Bluetooth



Ordering Information

Warranty	One Year
Part Number / Order Codes / Order Numbers	CP14827-Wrist Strap
	CP14828-Lanyard/Belt Clip
	CP15016 -Omni-id Lanyard accessory
	CP15067 -Belt Clip Accessory

For product or technology inquiries email: sales@omni-id.com.
Visit omni-id.com to learn more about the complete line of **Omni-ID RFID** products