

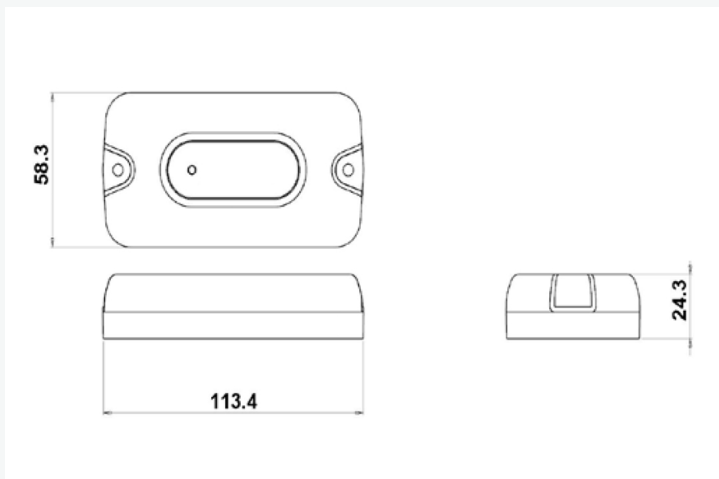
[Products] you can identify with



Physical Specifications

Material	Overmoulded durable, shock resistant TPE (thermoplastic elastomer)
Size	113.4 x 58.3 x 24.3 mm 4.46 x 2.30 x 0.96 in
Weight (g)	134
Attachment	Mechanical (std), Cable Tie attachment accessory (Optional) Magnet attachment (Optional) Foam Adhesive (Optional)

Dimensions



Measurements shown in mm

Sense Asset XL

The Sense Asset XL IoT device is hugely powerful and flexible thanks to the combination of GPS and LoRa technology. As a result, the device will deliver high levels of outdoor accuracy and performance over a long range. The ultra-rugged construction of the device makes it suitable for a huge range of IoT and IIoT projects.

RF Specification

Radio Protocol	NFC, LoRaWAN
Supported Profiles	868 MHz - Europe, 915 MHz - USA
Battery Type	Sealed prismatic battery, non-replacable
Battery Capacity	3.2 Ah
Battery Life	3 years, DBR set to 24h, 1 movement per day, DOP = 3 (GPS accuracy 7meters)
Default Beacon Rate	1-254 hours
Alarm Beacon Rate	Configurable from 0-254 minutes (where 0 is off)
Sensors	GPS, Accelerometer, Temperature
Temperature Sensor Range	-20°C to +60°C with an accuracy of +/- 2°C
Visual Indicator	Bi-color LED

[Products] you can identify with



The Sense Asset XL LoRa/GPS device is ideal for applications requiring long range tracking such as:

- Container management
- Ports construction and mining
- Asset management
- Fleet monitoring
- Facilities management
- Field operations
- Worker accountability
- Yard management

Configurable Parameters

- Data rate
- Accelerometer threshold
- Default beacon rate
- Alarm beacon rate
- High temperature threshold
- Low temperature threshold
- GNSS max lock time
- GNSS Min lock time
- DoP threshold
- Tag status (asleep/awake)

Environmental Specifications

- Operating Temperature: -20°C to +60°C
- IP Rating: IP68
- Shock & Vibration Tolerance: MIL-STD-810 G

Certifications

CE, FCC, RoHS, NFC, LoRa



Related System Components

LoRa Technology Evaluation Kit Including LoRa devices, user guide and MultiTech reader

Ordering Information

Warranty	1 year
Part Number / Order Codes / Order Numbers	CP14295-EU-Mechanical(Standard)
	CP14296-US-Mechanical(Standard)
	CP15117-EU-Cable Tie Attachment (Optional)
	CP15118-US-Cable Tie Attachment (Optional)
	CP15337-EU-Magnet Attachment (Optional)
	CP15338-US-Magnet Attachment (Optional)

For product or technology inquiries email: sales@omni-id.com.

Visit omni-id.com to learn more about the complete line of **Omni-ID RFID** products

[Products] you can identify with

