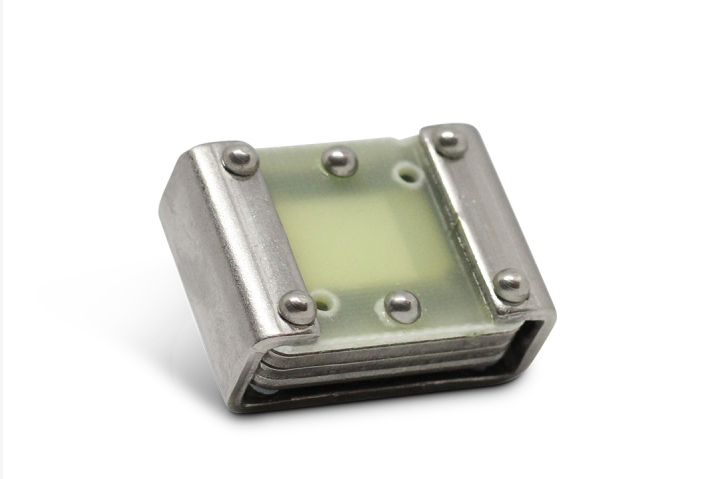


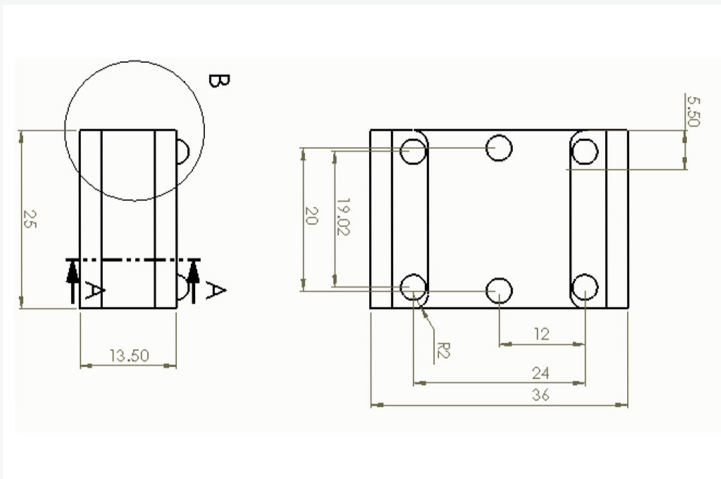
[Products] you can identify with



Physical Specifications

Material	Stainless steel with ceramic core
Layers	5 layers
Size	36 x 25 x 13.5 mm 1.42 x 0.98 x 0.53 in
Weight (g)	58
Attachment	Steel strap or welded

Dimensions



Measurements shown in mm

Adept 400 (5 layer) – US

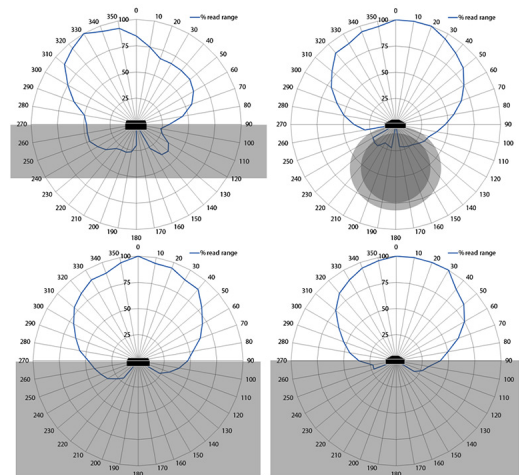
Designed for use in very harsh environments, the Omni-ID Adept 400 is ideal for attachment to pipes and fixed assets in remote production, extraction, and processing industrial facilities. Capable of surviving heavy impact, this global frequency tag is capable of surviving long term field use anywhere on the globe.

RF Specification

Radio Protocol	EPC Class 1 Gen2v2
Frequency Range	902 – 928 MHz (US)
Read Range – Fixed Reader	4-6 metres (13 – 20 feet)
Read Range – Handheld Reader	1-3 metres (10 feet)
On Metal or Balanced	Optimized for metal
IC Type (Chip)	Alien Higgs 3
Memory	EPC - 96 bits User - 512 bits Unique TID - 64 bits

EPC and User memory are reprogrammable. UTID is locked at point of manufacture by IC manufacturer.

Radiation Patterns



[Products] you can identify with



Designed for easy strap or adhesive attachment, the Omni-ID Adept 400 is perfect for industrial applications requiring high impact resistance, including MRO applications for:

- Piping
- Processing Equipment
- Valves

Environmental Specifications

Operating Temperature	-20°C to +65°C
Max Temperature Exposure	-20°C to +65°C
IP Rating	IP68
Shock & Vibration Tolerance	MIL-STD-810 G

Certifications

CE, RoHS, ATEX/IECEX certified (option), US&Canada (C1D1/D2) certified (option)



Ordering Information

Warranty	1 year
Product Options	:303 (Customization) :304 (ATEX/IECEX certified) :307 (US&Canada (C1D1/D2) certified) :523 *(Low profile, 4 layer without strap) :701 (Standard Service Bureau)
Part Number / Order Codes / Order Numbers	115 - (GS)

For product or technology inquiries email: sales@omni-id.com.
Visit omni-id.com to learn more about the complete line of **Omni-ID RFID** products