



CL7205G

Features

- Low profile with high gain, reading distance range up to 15m
- Maximum efficiency and performance across the entire frequency band
- Seamlessly compatible with different brand RFID readers
- Widely used in parking, warehouse, forklift, production line, container yard, luggage, carousel, file cabinet, smart shelf, etc.



Specifications

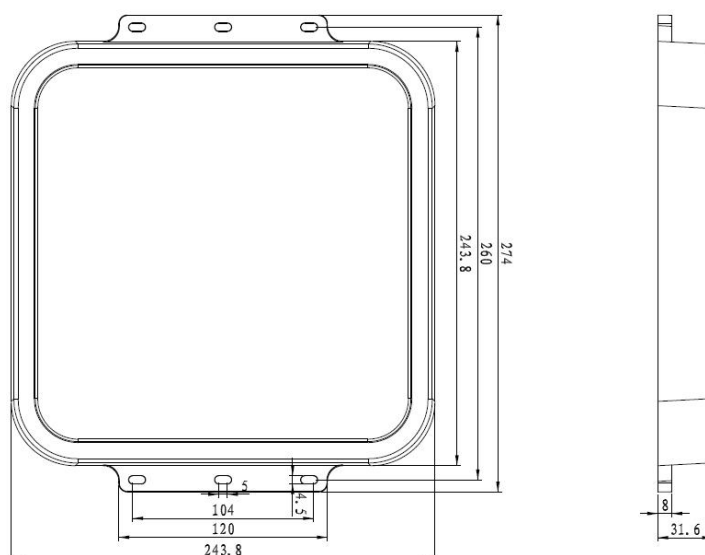
Physical / Environmental Specifications

Dimensions (L x W x D)	274mm×243.8mm×31.6mm
Weight	0.6KG
Radome Material	Aluminum +ABS
Sealing	IP54
Connector type / position:	SMA male side fly lead
Mounting	Flush
Operating Temperature	-30 - +80°C
Storage Temperature	-40 - +100°C

Electrical Specifications

Frequency Range	840MHz ~ 960MHz
Polarization	Circular
Far-Field Gain	9 dBi
Typical VSWR	VSWR ≤ 1.3 (860MHz~940MHz); VSWR ≤ 1.5 (840MHz~860MHz)
Nominal Impedance	50 (Ω)
Maximum Input Power	10W

Construction Appearance



Radiation Pattern

